

IDS-5011

➤ Industrial 1-port secure serial to Ethernet device server with 1xRS-232 and 1x10/100Base-T(X)

Features

- Operating Modes : Virtual Com, Serial Tunnel, TCP Server, TCP Client, UDP
- Multiple host devices :
5 host devices : Virtual COM, TCP Server, TCP Client mode;
4 IP ranges : UDP
- NAT Pass-Through : the user can manage IDS-5011 through NAT router
- Security : SSL data encryption; secured management by HTTPS and SSH
IP Access : IP White List
- Update DNS Hostname : DDNS
- Event Warning by Syslog, Email, SNMP trap and Beeper
- Configurable by Web-based and Windows utility (DS-Tool)
- Various Windows O.S. supported :
Windows NT/ 2000 / XP / 2003 / VISTA(32/64-bit) / Windows 7(32/64-bit)



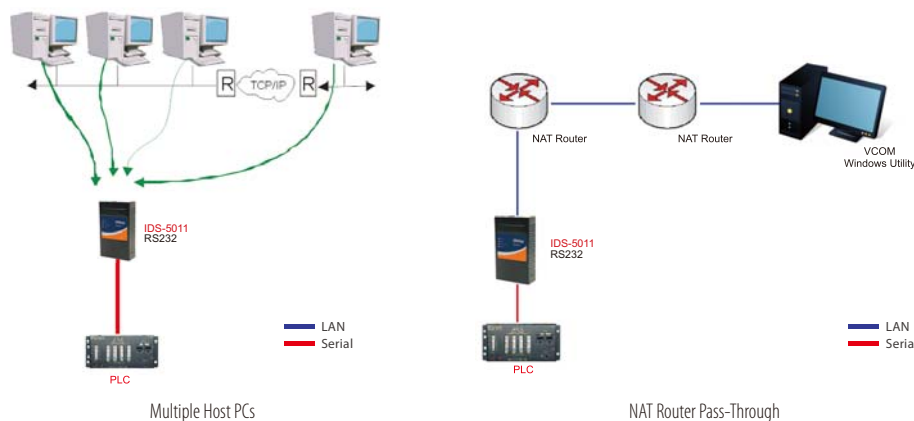
Introduction

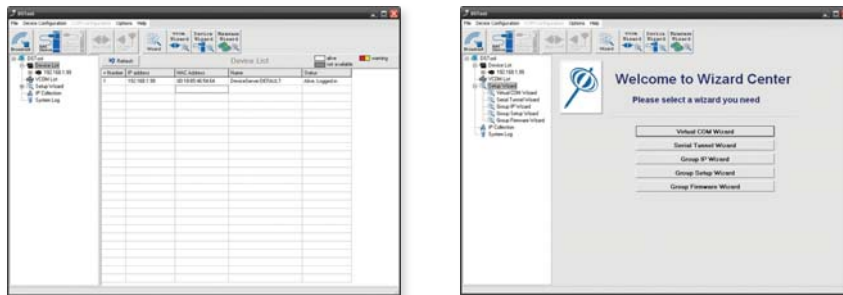
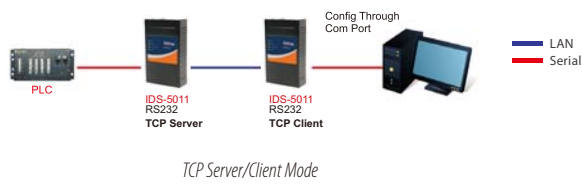
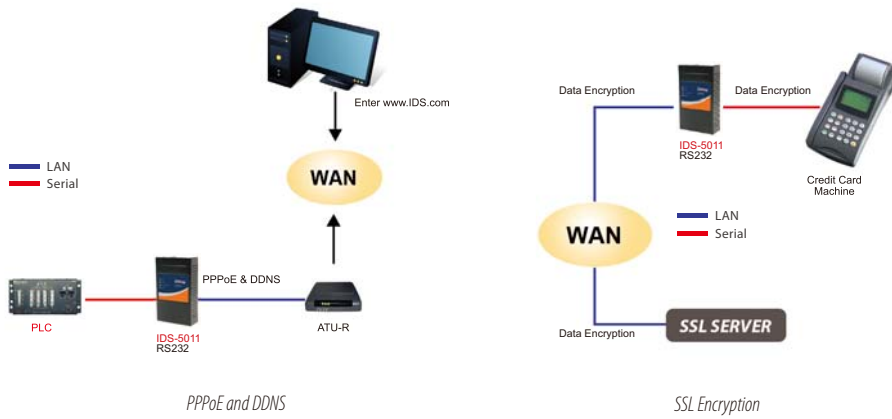
IDS-5011 is an innovative secure 1-port RS-232 to 1-port LAN serial to Ethernet device server featuring the standard features of device server, such like TCP/IP interface and versatile operation modes: Virtual Com, Serial Tunnel, TCP Server, TCP Client, and UDP. In addition, the Windows utility, DS-Tool, could configure multiple devices and set up the mappings of Virtual Com. The features of NAT Router Pass-Through, DDNS, and PPPoE make it more convenient for administrators to configure ORing's device servers through NAT router from different IP domains or Internet via modem remotely. On the other hand, IDS-5011 can simultaneously transfer data up to 5 redundant host PCs to avoid Ethernet connection breakdown or any host PC fails. Further, IDS-5011 features HTTPS, SSH, and SSL encryption to assure the security of critical data transmission.

IDS-5011 provides dual redundant power inputs, 12~48 VDC and DC power jack to guarantee a non-stop operation. With wide operating temperature, -10°~60°C , and rugged IP-30 housing design, IDS-5011 could operate in the harsh industrial environment. Therefore IDS-5011 is the best solution to the high demand of secure serial to Ethernet critical data communication.

Practical Operation

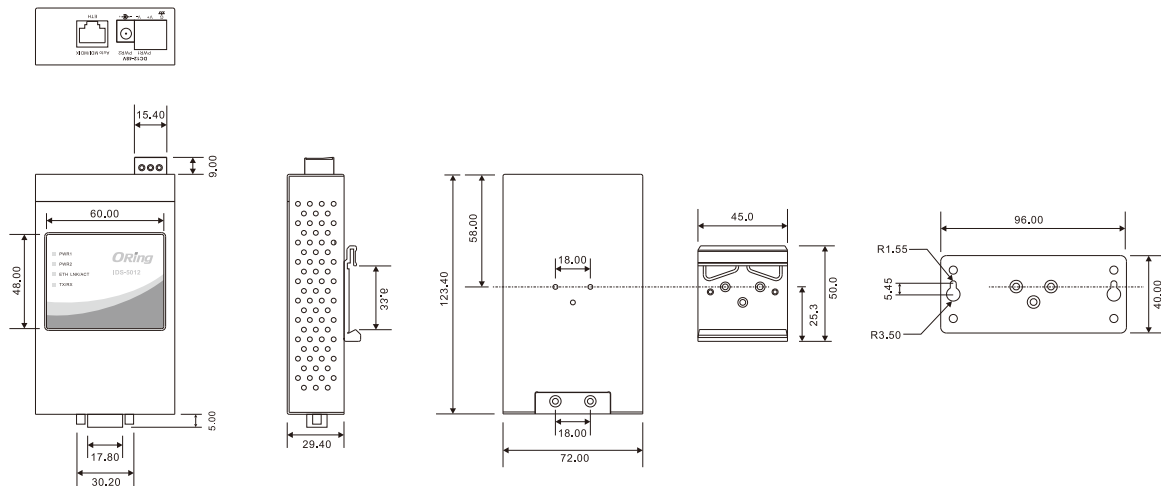
In practical operation of serial device servers, Windows utility (DS-Tool) is supported. This utility is very helpful for you to manage and monitor all of industrial device servers on the industrial network.





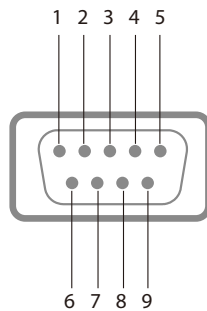
DS-Tool (Windows Utility): Monitoring and Configuration interface

Dimensions



Unit=mm

Pin Assignment



DB9(male) Pin Assignment

Pin #	RS-232
1	DCD
2	RXD
3	TXD
4	DTR
5	GND
6	DSR
7	RTS
8	CTS
9	RI
RS-232 mode act as DTE	

Specifications

ORing Device Server Model	IDS-5011
Physical Ports	
10/100Base-T(X) Ports in RJ45 Auto MDI/MDIX	1
Serial Ports	
Connector	DB9 x 1
Operation Mode	RS-232
Serial Baud Rate	110 bps to 460.8 Kbps
Data Bits	5, 6, 7, 8
Parity	odd, even, none, mark, space
Stop Bits	1, 1.5, 2
RS-232	TxD, RxD, RTS, CTS, DTR, DSR, DCD, RI, GND
Flow Control	XON/XOFF, RTS/CTS, DTR/DSR
Network Features	
Network Protocols	ICMP, IP, TCP, UDP, DHCP, BOOTP, SSH, DNS, SNMP V1/V2c, HTTPS, SMTP, PPPoE, DDNS
LED Indicators	
Power Indicator	PWR 1(2) / Ready : Red On : Power is on and booting up. Red Blinking : Indicates an IP conflict, or DHCP or BOOTP server did not respond properly. Green On : Power is on and functioning Normally. Green Blinking : Located by Administrator.
10/100Base-T(X) RJ45 Port Indicator	Green for port Link/Act at 100Mbps. Amber for port Link/Act at 10Mbps.
Serial TX / RX LEDs	Red : Serial port is receiving data Green : Serial port is transmitting data
Power	
Redundant Input Power	Dual DC inputs. 12~48VDC on 3-pin terminal block and power jack
Power Consumption (Typ.)	4 watts
Overload Current Protection	Present
Reverse Polarity Protection	Present on terminal block
Physical Characteristics	
Enclosure	IP-30
Dimensions (W x D x H)	72(W)x29.4(D)x123.4(H) mm (2.83x1.16x4.86 inch.)
Weight (g)	346 g

Environmental	
Storage Temperature	-40 to 85°C (-40 to 185°F)
Operating Temperature	-10 to 60°C (14 to 140°F)
Operating Humidity	5% to 95% Non-condensing
Regulatory Approvals	
EMI	FCC Part 15, CISPR (EN55022) class A
EMS	EN61000-4-2 (ESD), EN61000-4-3 (RS), EN61000-4-4 (EFT), EN61000-4-5 (Surge), EN61000-4-6 (CS), EN61000-4-8, EN61000-4-11
Shock	IEC60068-2-27
Free Fall	IEC60068-2-32
Vibration	IEC60068-2-6
Safety	EN60950-1
Warranty	5 years

Ordering Information

IDS-50 **A** **B**

Code Definition	Serial Port Number	Ethernet Port Number
Option	- 1 : 1 port	- 1 : 1 port

Available Model	Model Name	Description
	IDS-5011	Industrial 1-port secure serial to Ethernet device server with 1xRS-232 and 1x10/100Base-T(X)

Packing List

- IDS-5011
- DIN-Rail Kit
- Wall-mount Kit
- ORing Tool CD
- Quick Installation Guide

Optional Accessories (Can be purchased separately)

- DR-45 series, 45W DIN-Rail power supply
- DR-75 series, 75W DIN-Rail power supply
- DR-120 series, 120W DIN-Rail power supply
- PAA-121000, 12VDC/1000mA 12W Power Adapter, US plug
- PAE-121000, 12VDC/1000mA 12W Power Adapter, EU plug